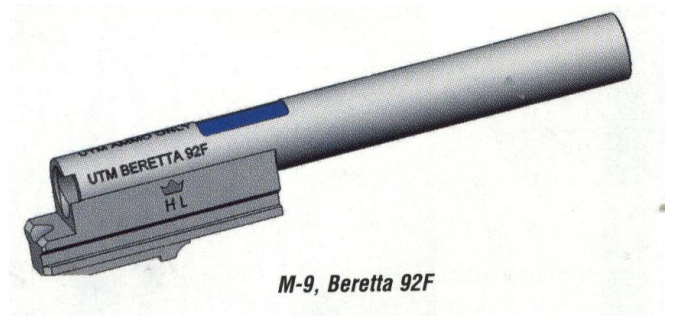


UTM Weapon Conversion Kits



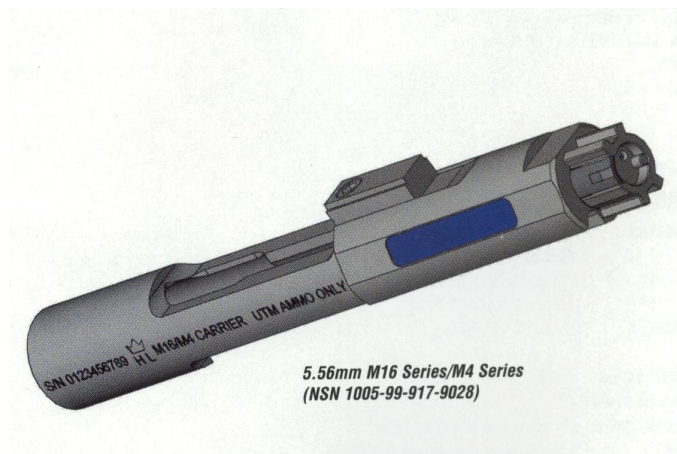
M-9, Beretta 92F



M-249

UTM Conversion Product List

Description	Part Number	Unit Size (MOQ)	Availability
Rifle			
M16/M4 Bolt Head & Carrier Assembly	01-2052	1	Current
M16/M4 Tool Kit	01-2048	1	Current
H&K G36 (XM8) Bolt Head & Carrier Assembly	01-2055	1	Current
H&K G36 (XM8) Tool Kit	01-2048	1	Current
FNC	01-2065	1	
FNC Tool Kit	01-2066	1	
Light Machine Gun			
Minimi Tool Kit	01-2067	1	TBA
Pistol			
(All SIG conversion include replacement barrel & a main spring guide)			
SIG 220	01-2058	1	Current
SIG 225	01-2069	1	Current
SIG 226	01-2011	1	Current
SIG P228/P229	01-2009	1	Current
SIG Tool Kit	02-2060	1	Current
Beretta 92	01-2008	1	Current
Glock 17 (barrel & firing pin)	01-2002	1	Current
Glock 17T (barrel)	01-2041	1	Current
Glock 19 (barrel firing pin)	01-2059	1	Current
Glock 22	01-2071	1	TBA
S&W 5946	01-2003	1	Current
H&K USP (barrel)	01-2001	1	Current
H&K USPK (barrel)	01-2004	1	Current
Browning HP	01-2007	1	TBA
Sub Machine Gun			
H&K MP5 (barrel liner)	01-0213	1	Current
MP5 Insertion Tool	01-2047	1	Current
Colt SMG	01-2072	1	TBA
Colt SMG Tool Kit	01-2073	1	TBA
FN P90	01-2074	1	Prototype
P90 Tool Kit	01-2075	1	Prototype



5.56mm M16 Series/M4 Series (NSN 1005-99-917-9028)



Real Photo 9mm Glock 19 (NSN 1005-99-759-7992)